

## 16K 2.5V I<sup>2</sup>C™ Serial EEPROM

### FEATURES

- Single supply with operation down to 2.5V
- Low power CMOS technology
  - 1 mA active current typical
  - 10  $\mu$ A standby current typical at 5.5V
  - 5  $\mu$ A standby current typical at 3.0V
- Organized as 8 blocks of 256 bytes (8 x 256 x 8)
- 2-wire serial interface bus, I<sup>2</sup>C™ compatible
- Schmitt trigger inputs for noise suppression
- Output slope control to eliminate ground bounce
- 100 kHz (E-temp) and 400 kHz (C/I-temp) compatibility
- Self-timed write cycle (including auto-erase)
- Page-write buffer for up to 16 bytes
- 2 ms typical write cycle time for page-write
- Hardware write protect for entire memory
- Can be operated as a serial ROM
- Factory programming (QTP) available
- ESD protection > 4,000V
- 1,000,000 erase/write cycles guaranteed
- Data retention > 200 years
- 8-pin DIP, 8-lead SOIC, 8-lead TSSOP packages
- Available for extended temperature ranges
  - Commercial (C): 0°C to +70°C
  - Industrial (I): -40°C to +85°C
  - Automotive (E): -40°C to +125°C

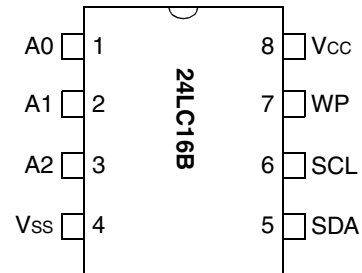
### DESCRIPTION

The Microchip Technology Inc. 24LC16B is a 16K bit Electrically Erasable PROM. The device is organized as eight blocks of 256 x 8 bit memory with a 2-wire serial interface. Low voltage design permits operation down to 2.5 volts with standby and active currents of only 5  $\mu$ A and 1 mA respectively. The 24LC16B also has a page-write capability for up to 16 bytes of data. The 24LC16B is available in the standard 8-pin DIP surface mount SOIC and TSSOP packages.

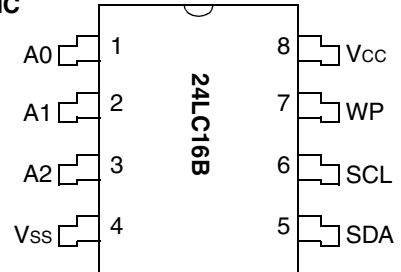
I<sup>2</sup>C is a trademark of Philips Corporation.

### PACKAGE TYPES

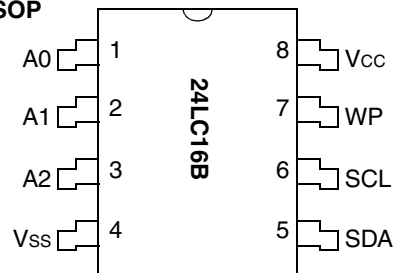
#### 8-Lead PDIP



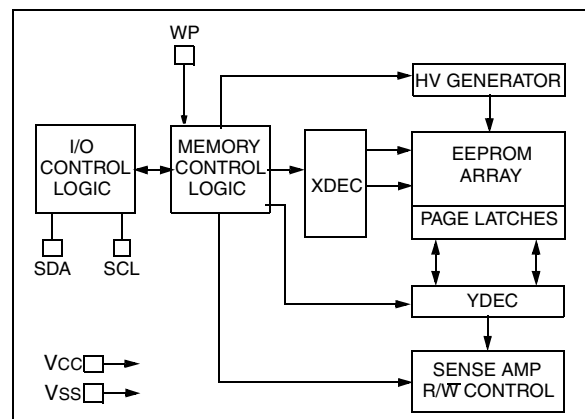
#### 8-Lead SOIC



#### 8-Lead TSSOP



### BLOCK DIAGRAM



# 24LC16B

## 1.0 ELECTRICAL CHARACTERISTICS

### 1.1 Maximum Ratings\*

V<sub>CC</sub>.....7.0V  
 All inputs and outputs w.r.t. V<sub>SS</sub>.....-0.3V to V<sub>CC</sub> +1.0V  
 Storage temperature.....-65°C to +150°C  
 Ambient temp. with power applied.....-65°C to +125°C  
 Soldering temperature of leads (10 seconds).....+300°C  
 ESD protection on all pins.....≥ 4 kV

\***Notice:** Stresses above those listed under "Maximum ratings" may cause permanent damage to the device. This is a stress rating only and functional operation of the device at those or any other conditions above those indicated in the operational listings of this specification is not implied. Exposure to maximum rating conditions for extended periods may affect device reliability.

TABLE 1-1: PIN FUNCTION TABLE

Name	Function
V <sub>SS</sub>	Ground
SDA	Serial Address/Data I/O
SCL	Serial Clock
WP	Write Protect Input
V <sub>CC</sub>	+2.5V to 5.5V Power Supply
A0, A1, A2	No Internal Connection

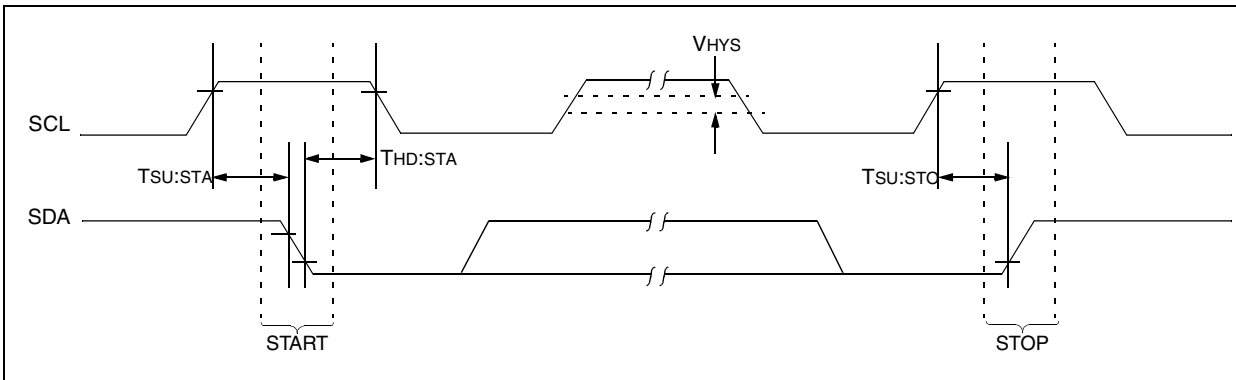
TABLE 1-2: DC CHARACTERISTICS

V<sub>CC</sub> = +2.5V to +5.5V  
 Commercial (C): T<sub>amb</sub> = 0°C to +70°C  
 Industrial (I): T<sub>amb</sub> = -40°C to +85°C  
 Automotive (E) T<sub>amb</sub> = -40°C to +125°C

Parameter	Symbol	Min	Max	Units	Conditions
WP, SCL and SDA pins: High level input voltage	V <sub>IH</sub>	.7 V <sub>CC</sub>	—	V	<b>(Note)</b> I <sub>OL</sub> = 3.0 mA, V <sub>CC</sub> = 2.5V
Low level input voltage	V <sub>IL</sub>	—	.3 V <sub>CC</sub>	V	
Hysteresis of Schmitt trigger inputs	V <sub>HYS</sub>	.05 V <sub>CC</sub>	—	V	
Low level output voltage	V <sub>OL</sub>	—	.40	V	
Input leakage current	I <sub>LI</sub>	-10	10	μA	V <sub>IN</sub> = .1V to V <sub>CC</sub>
Output leakage current	I <sub>LO</sub>	-10	10	μA	V <sub>OUT</sub> = .1V to V <sub>CC</sub>
Pin capacitance (all inputs/outputs)	C <sub>IN</sub> , C <sub>OUT</sub>	—	10	pF	V <sub>CC</sub> = 5.0V (Note) T <sub>amb</sub> = 25°C, F <sub>CLK</sub> = 1MHz
Operating current	I <sub>CC</sub> write I <sub>CC</sub> read	— —	3 1	mA mA	V <sub>CC</sub> = 5.5V, SCL = 400 kHz
Standby current	I <sub>CCS</sub>	— —	30 100	μA μA	V <sub>CC</sub> = 3.0V, SDA = SCL = V <sub>CC</sub> V <sub>CC</sub> = 5.5V, SDA = SCL = V <sub>CC</sub> WP = V <sub>SS</sub>

**Note:** This parameter is periodically sampled and not 100% tested.

FIGURE 1-1: BUS TIMING START/STOP



**TABLE 1-3: AC CHARACTERISTICS**

V <sub>CC</sub> = +2.5V to 5.5V Commercial (C): Tamb = 0°C to +70°C Industrial (I): Tamb = -40°C to +85°C Automotive (E): Tamb = -40°C to 125°C					
Parameter	Symbol	Min	Max	Units	Conditions
Clock frequency	Fclk	— —	400 100	kHz	4.5V ≤ V <sub>CC</sub> ≤ 5.5V 2.5V ≤ V <sub>CC</sub> ≤ 5.5V (E-temp range)
Clock high time	Thigh	600 4000	— —	ns	4.5V ≤ V <sub>CC</sub> ≤ 5.5V 2.5V ≤ V <sub>CC</sub> ≤ 5.5V (E-temp range)
Clock low time	TLOW	1300 4700	— —	ns	4.5V ≤ V <sub>CC</sub> ≤ 5.5V 2.5V ≤ V <sub>CC</sub> ≤ 5.5V (E-temp range)
SDA and SCL rise time (Note 1)	TR	— —	300 1000	ns	4.5V ≤ V <sub>CC</sub> ≤ 5.5V (Note 1) 2.5V ≤ V <sub>CC</sub> ≤ 5.5V (E-temp range) (Note 1)
SDA and SCL fall time	TF	—	300	ns	(Note 1)
START condition hold time	THD:STA	600 4000	— —	ns	4.5V ≤ V <sub>CC</sub> ≤ 5.5V 2.5V ≤ V <sub>CC</sub> ≤ 5.5V (E-temp range)
START condition setup time	TSU:STA	600 4700	— —	ns	4.5V ≤ V <sub>CC</sub> ≤ 5.5V 2.5V ≤ V <sub>CC</sub> ≤ 5.5V (E-temp range)
Data input hold time	THD:DAT	0	—	ns	(Note 2)
Data input setup time	TSU:DAT	100 250	— —	ns	4.5V ≤ V <sub>CC</sub> ≤ 5.5V 2.5V ≤ V <sub>CC</sub> ≤ 5.5V (E-temp range)
STOP condition setup time	TSU:STO	600 4000	— —	ns	4.5V ≤ V <sub>CC</sub> ≤ 5.5V 2.5V ≤ V <sub>CC</sub> ≤ 5.5V (E-temp range)
Output valid from clock (Note 2)	TAA	— —	900 3500	ns	4.5V ≤ V <sub>CC</sub> ≤ 5.5V 2.5V ≤ V <sub>CC</sub> ≤ 5.5V (E-temp range)
Bus free time: Time the bus must be free before a new transmission can start	TBUF	1300 4700	— —	ns	4.5V ≤ V <sub>CC</sub> ≤ 5.5V 2.5V ≤ V <sub>CC</sub> ≤ 5.5V (E-temp range)
Output fall time from VIH minimum to VIL maximum	TOF	20+0.1CB —	250 250	ns	4.5V ≤ V <sub>CC</sub> ≤ 5.5V 2.5V ≤ V <sub>CC</sub> ≤ 5.5V (E-temp range)
Input filter spike suppression (SDA and SCL pins)	TSP	—	50	ns	(Notes 1 and 3)
Write cycle time (byte or page)	TWC	—	5	ms	
Endurance		1M	—	cycles	25°C, V <sub>CC</sub> = 5.0V, Block Mode (Note 4)

**Note 1:** Not 100% tested. C<sub>B</sub> = total capacitance of one bus line in pF.

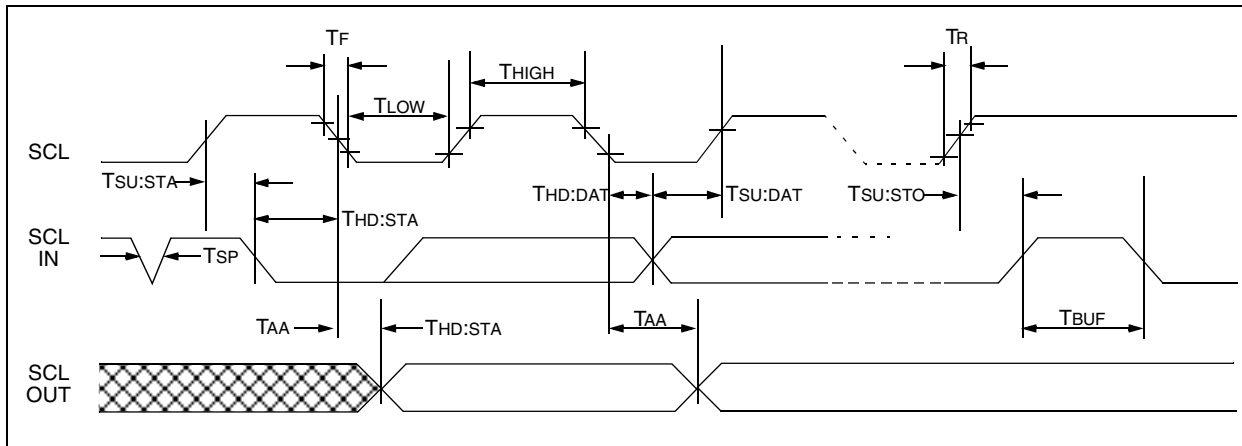
**Note 2:** As a transmitter, the device must provide an internal minimum delay time to bridge the undefined region (minimum 300 ns) of the falling edge of SCL to avoid unintended generation of START or STOP conditions.

**Note 3:** The combined TSP and VHYS specifications are due to new Schmitt trigger inputs which provide improved noise spike suppression. This eliminates the need for a TI specification for standard operation.

**Note 4:** This parameter is not tested but guaranteed by characterization. For endurance estimates in a specific application, please consult the Total Endurance Model which can be obtained on Microchip's website.

# 24LC16B

FIGURE 1-2: BUS TIMING DATA



## 2.0 FUNCTIONAL DESCRIPTION

The 24LC16B supports a Bi-directional 2-wire bus and data transmission protocol. A device that sends data onto the bus is defined as transmitter, and a device receiving data as receiver. The bus has to be controlled by a master device which generates the serial clock (SCL), controls the bus access, and generates the START and STOP conditions, while the 24LC16B works as slave. Both, master and slave can operate as transmitter or receiver but the master device determines which mode is activated.

## 3.0 BUS CHARACTERISTICS

The following **bus protocol** has been defined:

- Data transfer may be initiated only when the bus is not busy.
- During data transfer, the data line must remain stable whenever the clock line is HIGH. Changes in the data line while the clock line is HIGH will be interpreted as a START or STOP condition.

Accordingly, the following bus conditions have been defined (Figure 3-1).

### 3.1 Bus not Busy (A)

Both data and clock lines remain HIGH.

### 3.2 Start Data Transfer (B)

A HIGH to LOW transition of the SDA line while the clock (SCL) is HIGH determines a START condition. All commands must be preceded by a START condition.

### 3.3 Stop Data Transfer (C)

A LOW to HIGH transition of the SDA line while the clock (SCL) is HIGH determines a STOP condition. All operations must be ended with a STOP condition.

### 3.4 Data Valid (D)

The state of the data line represents valid data when, after a START condition, the data line is stable for the duration of the HIGH period of the clock signal.

The data on the line must be changed during the LOW period of the clock signal. There is one clock pulse per bit of data.

Each data transfer is initiated with a START condition and terminated with a STOP condition. The number of the data bytes transferred between the START and STOP conditions is determined by the master device and is theoretically unlimited, although only the last sixteen will be stored when doing a write operation. When an overwrite does occur it will replace data in a first in first out fashion.

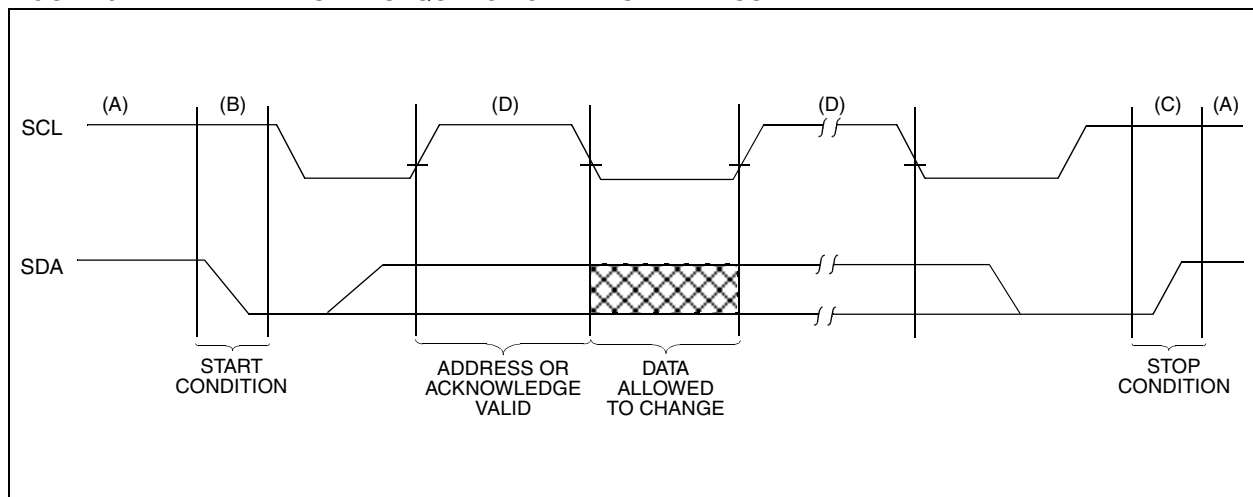
### 3.5 Acknowledge

Each receiving device, when addressed, is obliged to generate an acknowledge after the reception of each byte. The master device must generate an extra clock pulse which is associated with this acknowledge bit.

**Note:** The 24LC16B does not generate any acknowledge bits if an internal programming cycle is in progress.

The device that acknowledges, has to pull down the SDA line during the acknowledge clock pulse in such a way that the SDA line is stable LOW during the HIGH period of the acknowledge related clock pulse. Of course, setup and hold times must be taken into account. During reads, a master must signal an end of data to the slave by not generating an acknowledge bit on the last byte that has been clocked out of the slave. In this case, the slave (24LC16B) will leave the data line HIGH to enable the master to generate the STOP condition.

**FIGURE 3-1: DATA TRANSFER SEQUENCE ON THE SERIAL BUS**



# 24LC16B

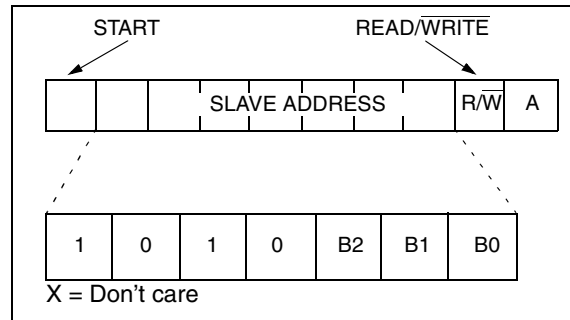
## 3.6 Device Addressing

A control byte is the first byte received following the start condition from the master device. The control byte consists of a four bit control code, for the 24LC16B this is set as 1010 binary for read and write operations. The next three bits of the control byte are the block select bits (B2, B1, B0). They are used by the master device to select which of the eight 256 word blocks of memory are to be accessed. These bits are in effect the three most significant bits of the word address. It should be noted that the protocol limits the size of the memory to eight blocks of 256 words, therefore the protocol can support only one 24LC16B per system.

The last bit of the control byte defines the operation to be performed. When set to one a read operation is selected, when set to zero a write operation is selected. Following the start condition, the 24LC16B monitors the SDA bus checking the device type identifier being transmitted, upon a 1010 code the slave device outputs an acknowledge signal on the SDA line. Depending on the state of the R/W bit, the 24LC16B will select a read or write operation.

Operation	Control Code	Block Select	R/W
Read	1010	Block Address	1
Write	1010	Block Address	0

FIGURE 3-2: CONTROL BYTE ALLOCATION



## 4.0 WRITE OPERATION

### 4.1 Byte Write

Following the start condition from the master, the device code (4 bits), the block address (3 bits), and the R/W bit which is a logic low is placed onto the bus by the master transmitter. This indicates to the addressed slave receiver that a byte with a word address will follow after it has generated an acknowledge bit during the ninth clock cycle. Therefore the next byte transmitted by the master is the word address and will be written into the address pointer of the 24LC16B. After receiving another acknowledge signal from the 24LC16B the master device will transmit the data word to be written into the addressed memory location. The 24LC16B acknowledges again and the master generates a stop condition. This initiates the internal write cycle, and during this time the 24LC16B will not generate acknowledge signals (Figure 4-1).

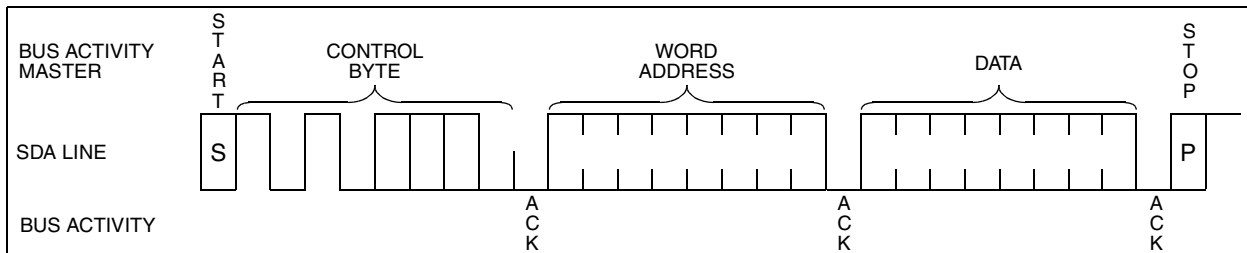
### 4.2 Page Write

The write control byte, word address and the first data byte are transmitted to the 24LC16B in the same way as in a byte write. But instead of generating a stop condition the master transmits up to 16 data bytes to the 24LC16B which are temporarily stored in the on-chip page buffer and will be written into the memory after the

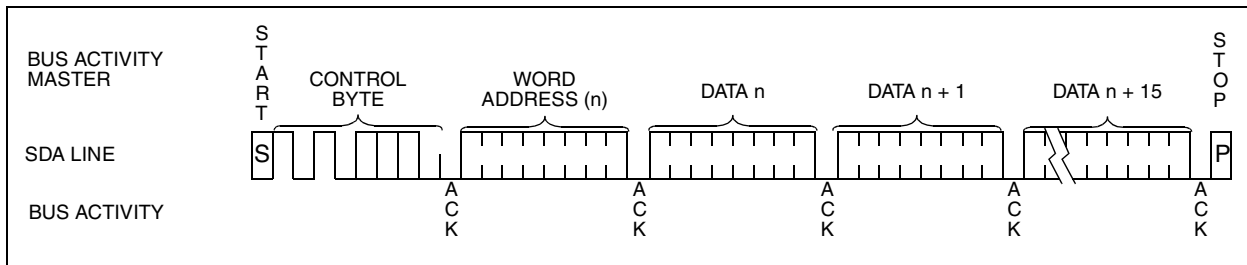
master has transmitted a stop condition. After the receipt of each word, the four lower order address pointer bits are internally incremented by one. The higher order seven bits of the word address remains constant. If the master should transmit more than 16 words prior to generating the stop condition, the address counter will roll over and the previously received data will be overwritten. As with the byte write operation, once the stop condition is received an internal write cycle will begin (Figure 4-2).

**Note:** Page write operations are limited to writing bytes within a single physical page, regardless of the number of bytes actually being written. Physical page boundaries start at addresses that are integer multiples of the page buffer size (or 'page size') and end at addresses that are integer multiples of [page size - 1]. If a page write command attempts to write across a physical page boundary, the result is that the data wraps around to the beginning of the current page (overwriting data previously stored there), instead of being written to the next page as might be expected. It is therefore necessary for the application software to prevent page write operations that would attempt to cross a page boundary.

**FIGURE 4-1: BYTE WRITE**



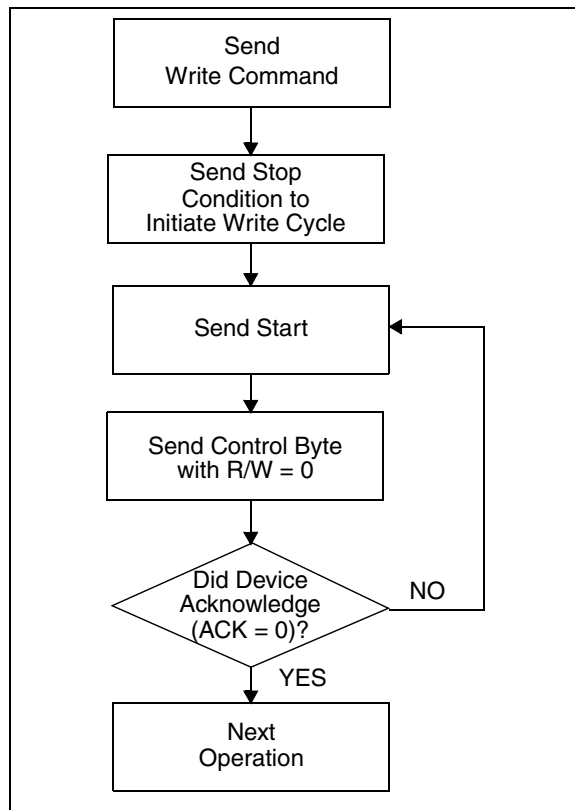
**FIGURE 4-2: PAGE WRITE**



## 5.0 ACKNOWLEDGE POLLING

Since the device will not acknowledge during a write cycle, this can be used to determine when the cycle is complete (this feature can be used to maximize bus throughput). Once the stop condition for a write command has been issued from the master, the device initiates the internally timed write cycle. ACK polling can be initiated immediately. This involves the master sending a start condition followed by the control byte for a write command ( $R/\overline{W} = 0$ ). If the device is still busy with the write cycle, then no ACK will be returned. If the cycle is complete, then the device will return the ACK and the master can then proceed with the next read or write command. See Figure 5-1 for flow diagram.

**FIGURE 5-1: ACKNOWLEDGE POLLING FLOW**



## 6.0 WRITE PROTECTION

The 24LC16B can be used as a serial ROM when the WP pin is connected to  $V_{CC}$ . Programming will be inhibited and the entire memory will be write-protected.

## 7.0 READ OPERATION

Read operations are initiated in the same way as write operations with the exception that the  $R/\overline{W}$  bit of the slave address is set to one. There are three basic types of read operations: current address read, random read, and sequential read.

### 7.1 Current Address Read

The 24LC16B contains an address counter that maintains the address of the last word accessed, internally incremented by one. Therefore, if the previous access (either a read or write operation) was to address  $n$ , the next current address read operation would access data from address  $n + 1$ . Upon receipt of the slave address with  $R/\overline{W}$  bit set to one, the 24LC16B issues an acknowledge and transmits the eight bit data word. The master will not acknowledge the transfer but does generate a stop condition and the 24LC16B discontinues transmission (Figure 7-1).

### 7.2 Random Read

Random read operations allow the master to access any memory location in a random manner. To perform this type of read operation, first the word address must be set. This is done by sending the word address to the 24LC16B as part of a write operation. After the word address is sent, the master generates a start condition following the acknowledge. This terminates the write operation, but not before the internal address pointer is set. Then the master issues the control byte again but with the  $R/\overline{W}$  bit set to a one. The 24LC16B will then issue an acknowledge and transmits the 8-bit data word. The master will not acknowledge the transfer but does generate a stop condition and the 24LC16B discontinues transmission (Figure 7-2).

### 7.3 Sequential Read

Sequential reads are initiated in the same way as a random read except that after the 24LC16B transmits the first data byte, the master issues an acknowledge as opposed to a stop condition in a random read. This directs the 24LC16B to transmit the next sequentially addressed 8-bit word (Figure 7-3).

To provide sequential reads the 24LC16B contains an internal address pointer which is incremented by one at the completion of each operation. This address pointer allows the entire memory contents to be serially read during one operation.

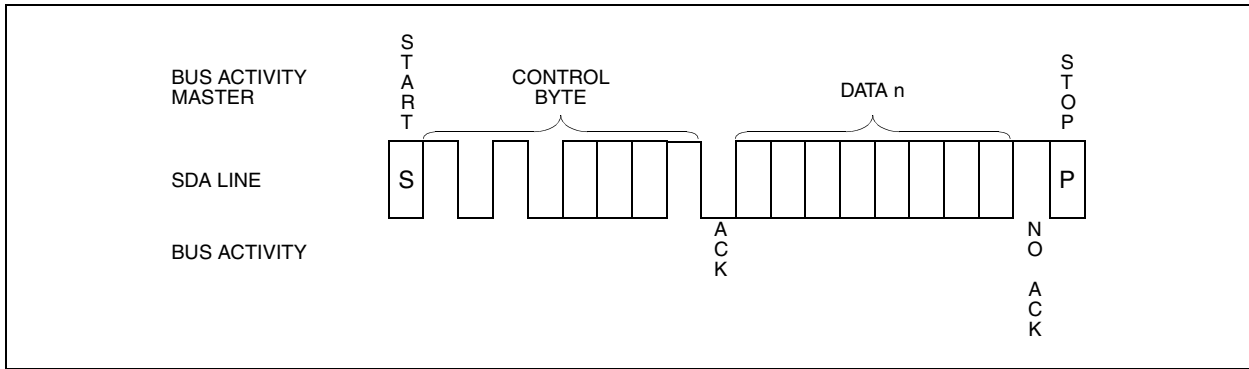
### 7.4 Noise Protection

The 24LC16B employs a  $V_{CC}$  threshold detector circuit which disables the internal erase/write logic if the  $V_{CC}$  is below 1.5 volts at nominal conditions.

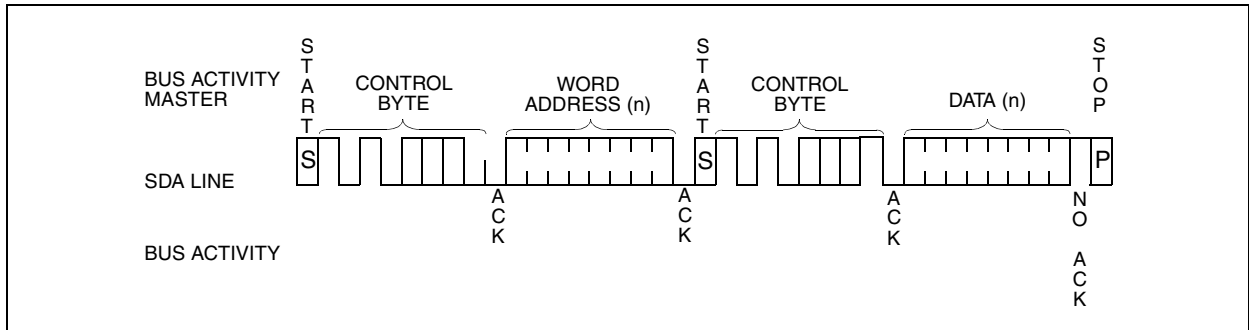
The SCL and SDA inputs have Schmitt trigger and filter circuits which suppress noise spikes to assure proper device operation even on a noisy bus.



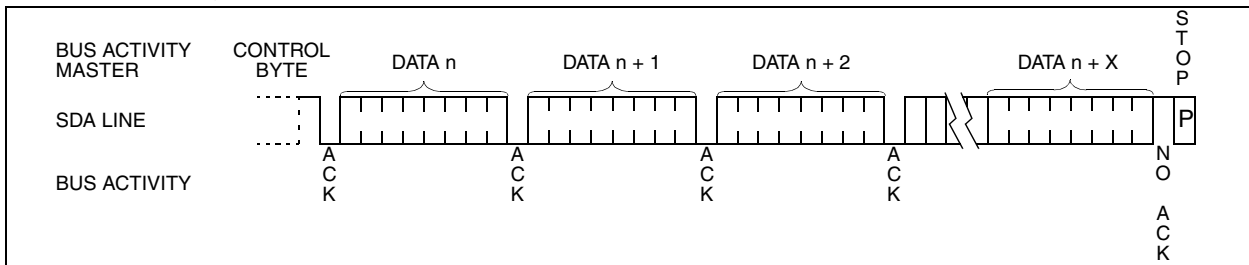
**FIGURE 7-1: CURRENT ADDRESS READ**



**FIGURE 7-2: RANDOM READ**



**FIGURE 7-3: SEQUENTIAL READ**



## 8.0 PIN DESCRIPTIONS

### 8.1 SDA Serial Address/Data Input/Output

This is a Bi-directional pin used to transfer addresses and data into and data out of the device. It is an open drain terminal, therefore the SDA bus requires a pullup resistor to Vcc (typical 10KΩ for 100 kHz, 2 KΩ for 400 kHz).

For normal data transfer SDA is allowed to change only during SCL low. Changes during SCL high are reserved for indicating the START and STOP conditions.

### 8.2 SCL Serial Clock

This input is used to synchronize the data transfer from and to the device.

### 8.3 WP

This pin must be connected to either Vss or Vcc.

If tied to Vss normal memory operation is enabled (read/write the entire memory 000-7FF).

If tied to Vcc, WRITE operations are inhibited. The entire memory will be write-protected. Read operations are not affected.

This feature allows the user to use the 24LC16B as a serial ROM when WP is enabled (tied to Vcc).

### 8.4 A0, A1, A2

These pins are not used by the 24LC16B. They may be left floating or tied to either Vss or Vcc.

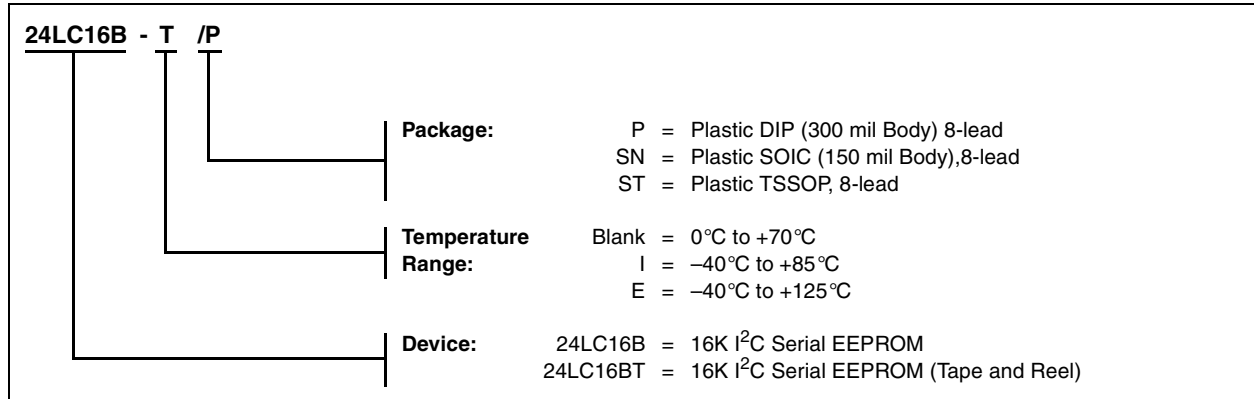
# 24LC16B

---

NOTES:

## 24LC16B PRODUCT IDENTIFICATION SYSTEM

To order or obtain information, e.g., on pricing or delivery, refer to the factory or the listed sales office.



### Sales and Support

#### Data Sheets

Products supported by a preliminary Data Sheet may have an errata sheet describing minor operational differences and recommended workarounds. To determine if an errata sheet exists for a particular device, please contact one of the following:

1. Your local Microchip sales office
2. The Microchip Corporate Literature Center U.S. FAX: (480) 786-7277.
3. The Microchip Worldwide Site ([www.microchip.com](http://www.microchip.com))

Please specify which device, revision of silicon and Data Sheet (include Literature #) you are using.

#### New Customer Notification System

Register on our web site ([www.microchip.com/cn](http://www.microchip.com/cn)) to receive the most current information on our products.



## WORLDWIDE SALES AND SERVICE

### AMERICAS

#### Corporate Office

Microchip Technology Inc.  
2355 West Chandler Blvd.  
Chandler, AZ 85224-6199  
Tel: 480-786-7200 Fax: 480-786-7277  
Technical Support: 480-786-7627  
Web Address: <http://www.microchip.com>

#### Atlanta

Microchip Technology Inc.  
500 Sugar Mill Road, Suite 200B  
Atlanta, GA 30350  
Tel: 770-640-0034 Fax: 770-640-0307

#### Boston

Microchip Technology Inc.  
5 Mount Royal Avenue  
Marlborough, MA 01752  
Tel: 508-480-9990 Fax: 508-480-8575

#### Chicago

Microchip Technology Inc.  
333 Pierce Road, Suite 180  
Itasca, IL 60143  
Tel: 630-285-0071 Fax: 630-285-0075

#### Dallas

Microchip Technology Inc.  
4570 Westgrove Drive, Suite 160  
Addison, TX 75248  
Tel: 972-818-7423 Fax: 972-818-2924

#### Dayton

Microchip Technology Inc.  
Two Prestige Place, Suite 150  
Miamisburg, OH 45342  
Tel: 937-291-1654 Fax: 937-291-9175

#### Detroit

Microchip Technology Inc.  
Tri-Atria Office Building  
32255 Northwestern Highway, Suite 190  
Farmington Hills, MI 48334  
Tel: 248-538-2250 Fax: 248-538-2260

#### Los Angeles

Microchip Technology Inc.  
18201 Von Karman, Suite 1090  
Irvine, CA 92612  
Tel: 949-263-1888 Fax: 949-263-1338

#### New York

Microchip Technology Inc.  
150 Motor Parkway, Suite 202  
Hauppauge, NY 11788  
Tel: 631-273-5305 Fax: 631-273-5335

#### San Jose

Microchip Technology Inc.  
2107 North First Street, Suite 590  
San Jose, CA 95131  
Tel: 408-436-7950 Fax: 408-436-7955

### AMERICAS (continued)

#### Toronto

Microchip Technology Inc.  
5925 Airport Road, Suite 200  
Mississauga, Ontario L4V 1W1, Canada  
Tel: 905-405-6279 Fax: 905-405-6253

### ASIA/PACIFIC

#### Beijing

Microchip Technology, Beijing  
Unit 915, 6 Chaoyangmen Bei Dajie  
Dong Erhuan Road, Dongcheng District  
New China Hong Kong Manhattan Building  
Beijing 100027 PRC  
Tel: 86-10-85282100 Fax: 86-10-85282104

#### Hong Kong

Microchip Asia Pacific  
Unit 2101, Tower 2  
Metroplaza  
223 Hing Fong Road  
Kwai Fong, N.T., Hong Kong  
Tel: 852-2-401-1200 Fax: 852-2-401-3431

#### India

Microchip Technology Inc.  
India Liaison Office  
No. 6, Legacy, Convent Road  
Bangalore 560 025, India  
Tel: 91-80-229-0061 Fax: 91-80-229-0062

#### Japan

Microchip Technology Intl. Inc.  
Benex S-1 6F  
3-18-20, Shinyokohama  
Kohoku-Ku, Yokohama-shi  
Kanagawa 222-0033 Japan  
Tel: 81-45-471-6166 Fax: 81-45-471-6122

#### Korea

Microchip Technology Korea  
168-1, Youngbo Bldg. 3 Floor  
Samsung-Dong, Kangnam-Ku  
Seoul, Korea  
Tel: 82-2-554-7200 Fax: 82-2-558-5934

#### Shanghai

Microchip Technology  
Unit B701, Far East International Plaza,  
No. 317, Xianxia Road  
Shanghai, 200051 P.R.C.  
Tel: 86-21-6275-5700 Fax: 86-21-6275-5060

### ASIA/PACIFIC (continued)

#### Singapore

Microchip Technology Singapore Pte Ltd.  
200 Middle Road  
#07-02 Prime Centre  
Singapore 188980  
Tel: 65-334-8870 Fax: 65-334-8850

#### Taiwan, R.O.C

Microchip Technology Taiwan  
10F-1C 207  
Tung Hua North Road  
Taipei, Taiwan, ROC  
Tel: 886-2-2717-7175 Fax: 886-2-2545-0139

### EUROPE

#### Denmark

Microchip Technology Denmark ApS  
Regus Business Centre  
Lautrup høj 1-3  
Ballerup DK-2750 Denmark  
Tel: 45 4420 9895 Fax: 45 4420 9910

#### France

Arizona Microchip Technology SARL  
Parc d'Activite du Moulin de Massy  
43 Rue du Saule Trapu  
Batiment A - 1er Etage  
91300 Massy, France  
Tel: 33-1-69-53-63-20 Fax: 33-1-69-30-90-79

#### Germany

Arizona Microchip Technology GmbH  
Gustav-Heinemann-Ring 125  
D-81739 München, Germany  
Tel: 49-89-627-144 0 Fax: 49-89-627-144-44

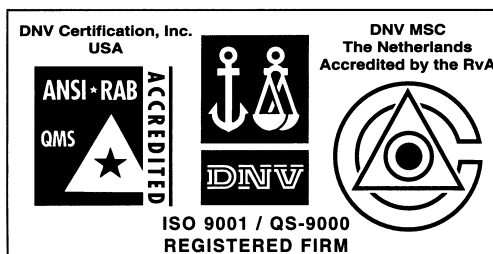
#### Italy

Arizona Microchip Technology SRL  
Centro Direzionale Colleoni  
Palazzo Taurus 1 V. Le Colleoni 1  
20041 Agrate Brianza  
Milan, Italy  
Tel: 39-039-65791-1 Fax: 39-039-6899883

#### United Kingdom

Arizona Microchip Technology Ltd.  
505 Eskdale Road  
Winnersh Triangle  
Wokingham  
Berkshire, England RG41 5TU  
Tel: 44 118 921 5858 Fax: 44-118 921-5835

01/21/00



Microchip received QS-9000 quality system certification for its worldwide headquarters, design and wafer fabrication facilities in Chandler and Tempe, Arizona in July 1999. The Company's quality system processes and procedures are QS-9000 compliant for its PICmicro® 8-bit MCUs, KEELOC® code hopping devices, Serial EEPROMs and microperipheral products. In addition, Microchip's quality system for the design and manufacture of development systems is ISO 9001 certified.

All rights reserved. © 2000 Microchip Technology Incorporated. Printed in the USA. 3/00 Printed on recycled paper.

Information contained in this publication regarding device applications and the like is intended through suggestion only and may be superseded by updates. It is your responsibility to ensure that your application meets with your specifications. No representation or warranty is given and no liability is assumed by Microchip Technology Incorporated with respect to the accuracy or use of such information, or infringement of patents or other intellectual property rights arising from such use or otherwise. Use of Microchip's products as critical components in life support systems is not authorized except with express written approval by Microchip. No licenses are conveyed, implicitly or otherwise, except as maybe explicitly expressed herein, under any intellectual property rights. The Microchip logo and name are registered trademarks of Microchip Technology Inc. in the U.S.A. and other countries. All rights reserved. All other trademarks mentioned herein are the property of their respective companies.